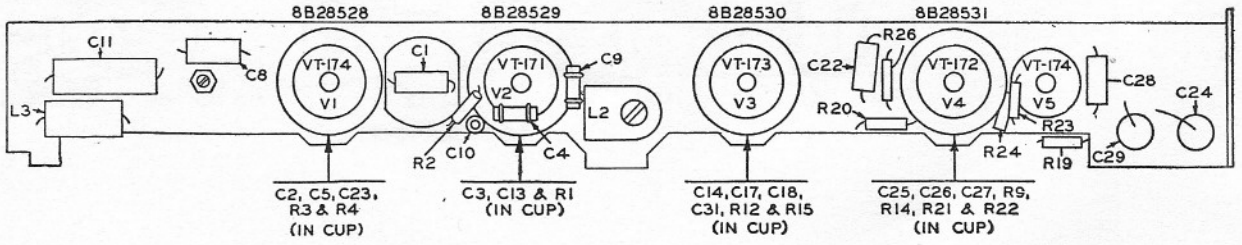
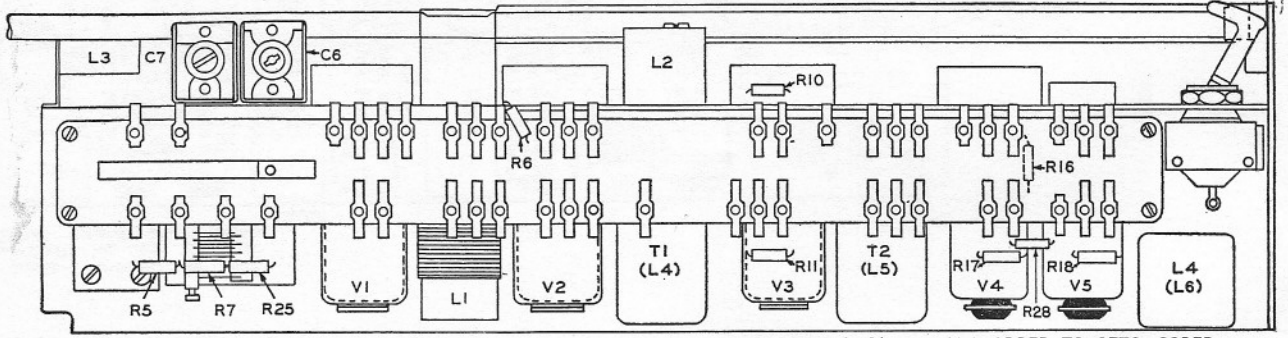


BOTTOM VIEW

R26 NOT ON SCR-536-A

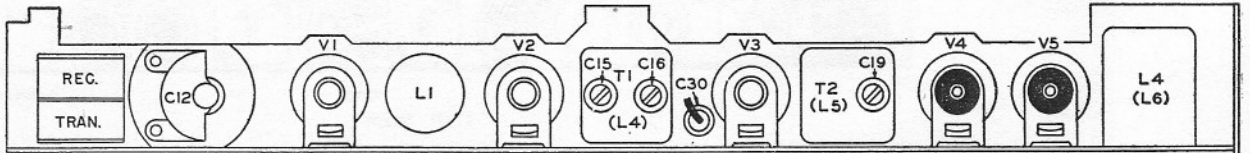


FRONT VIEW



R28 AND DUMMY LUG ADDED TO SETS CODED CZE AND BC-611-D AND E.

TOP VIEW



REFERENCES IN PARENTHESES REFER TO SCR-536-A AND B

VL 5562-A

Figure 88. Radio Receiver and Transmitters BC-611-A through -E, location of parts.